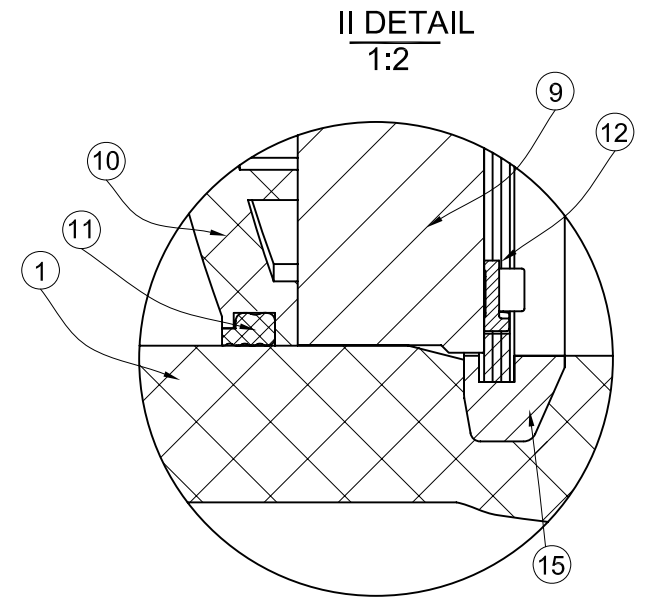
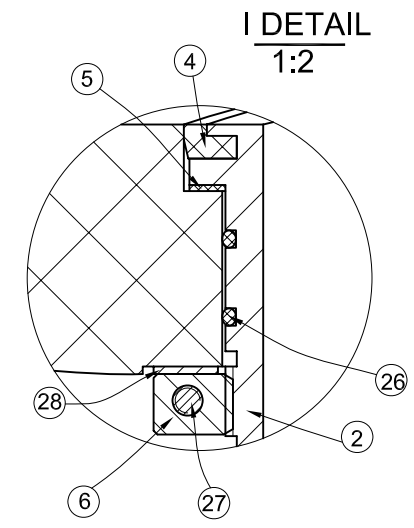


PERMEATE PORT  
 OPTION F---NPT 1" FEMALE THREAD;  
 OPTION G---Rp 1" FEMALE THREAD;  
 OPTION H--- UNION ADAPTOR;  
 FIT 32mm(O.D) PIPE  
 OPTION J---UNION ADAPTOR;  
 FIT 1.32"(O.D) PIPE  
 OPTION V---Mechanical Coupling 1"-ABS;  
 OPTION S---Mechanical Coupling 1"-SS;

**WARNING!**  
 PRESSURE IN THE PERMEATE PORT  
 SHALL NOT EXCEED 125 PSI (0.86MPa)



SIDE PORT O RING	Ø70(I.D.)*Ø2	2.5"	10425	
	Ø55(I.D.)*Ø2	2"	10424	
	Ø42(I.D.)*Ø2	1.5"	10423	
CURVED SIDEPORT SEAL	23100-07-02	2.5"	10497	
	23100-07-01	2"	10495	
	23100-07-03	1.5"	10493	
SIDE PORT PACKING WASHER	23100-33	2.5"	10498	
	23100-37	2"	10496	
	23100-29	1.5"	10494	
SIDE PORT GASKET	23100-46-03	2.5"	20285	
	23100-46-02	2"	20280	
SIDE PORT NUT	23100-45-03	2.5"	20457	
	23100-45-02	2"	20456	
SIDE PORT	23100-02-02-04	T 2.5"	20388	
	23100-02-01-04	S 2"	20387	
SHELL	23100-01-02	2.5"	20386	
	23100-01-01	2"		
	23100-01-03	1.5"		
DESCRIPTION	DRAWING NO.	CODE	SIZE	COMPUTER CODE

BEARING PLATE	23100-09-01	SB-209,6061-T651	20317	ASME CODE PRODUCT
1000 PSI	23100-09	SB-211,6061-T6	20062	
DESCRIPTION	DRAWING NO.	MATERIAL	COMPUTER CODE	REMARK

PERMEATE PORT 1000 PSI	23300-10-08	UF	CONNED WITH VICTAULIC	10504
	23300-10-09	N	NPT 1 1/2" MALE THREAD	10847
	23300-10-06	M	NPT 1 1/4" MALE THREAD	10088
	23300-10-05	S	MECHANICAL COUPLING 1"-SS	10073
	23300-10-05	V	MECHANICAL COUPLING 1"-ABS	10073
	23300-10-05	J	UNION ADAPTOR(American Standard)	10073
	23300-10-05	F	NPT 1" FEMALE THREAD	10073
	23300-10-05	G	Rp 1" FEMALE THREAD	10073
23300-10-05	H	UNION ADAPTOR(National Standard)	10073	
DESCRIPTION	DRAWING NO.	CODE	PERMEATE PORT SPECS	COMPUTER CODE

28	SIDE PORT GASKET	SEE "SIDE PORT CONFIGURATIONS"	2	SA-213.TP316L	SEE THE CHART
27	SIDE PORT SCREW		4	M4*16 STAINLESS STEEL, GRADE 8.8	20439
26	SIDE PORT O RING	SEE "SIDE PORT CONFIGURATIONS"	4	EPDM	SEE THE CHART
25	ALUMINUM PLATE LABEL		2	ADHESIVE LABEL	40845
24	LOGO LABEL		1	ADHESIVE LABEL	40255
23	SERIAL NO. LABEL		1	ARTPAPER 20*53	40425
22	RETAINING BLOCK	23300-36	4	316	20183
21	ALLEN SCREW		8	M5*10 STAINLESS STEEL, GRADE 8.8	20132
20	STRAP PROTECTIVE JACKET	(23300-19)EC30-08-19	2or3	SOFT PVC	10188
19	STRAP SCREW		4or6	M8*90 STAINLESS STEEL, GRADE 8.8	20129
18	STRAP NUT	(23300-18)EC30-08-18	4or6	Hpb51-9	20123
17	STRAP	(23300-17)EC30-08-17	2or3	A666. 304	20123
16	SADDLE	(23300-16)EC30-08-16	2or3	TPU (S60D)	10141
15	EMBEDDED RING	(23100-10)	2	SA-312. TP316L	20190
14	ADAPTOR O RING	(23300-14)EC30-08-14	4	EPDM	10182
13	ADAPTOR	(23300-13)EC30-08-13	2	ABS CHIMEI 757K	10125
12	RETAINING RING	(23100-12)EC10-08-12	2	SA-479.316	20024
11	HEAD SEAL	23300-26-02	2	EPDM	11126
10	PERMEATE PORT(1000PSI)	SEE "PERMEATE PORT CONFIGURATIONS"	2	PF062-3	SEE THE CHART
9	BEARING PLATE	SEE "BEARING PLATE CONFIGURATIONS"	2	SEE "BEARING PLATE CONFIGURATIONS"	SEE THE CHART
8	PERMEATE PORT O RING	(23300-08)EC30-08-08	2	EPDM	10181
7	THRUST CONE	(23300-07)EC30-08-07	1	PF062-3	10192
6	SIDE PORT NUT	SEE "SIDE PORT CONFIGURATIONS"	2	316L	SEE THE CHART
5	SIDE PORT PACKING WASHER	SEE "SIDE PORT CONFIGURATIONS"	2	EPDM	SEE THE CHART
4	CURVED SIDE PORT SEAL	SEE "SIDE PORT CONFIGURATIONS"	2	EPDM	SEE THE CHART
3	PERMEATE RETAINING RING	(23300-03)EC30-08-03	2	A580. 316	20107
2	SIDE PORT	SEE "SIDE PORT CONFIGURATIONS"	2	SA-789.S31803	SEE THE CHART
1	SHELL	SEE "SIDE PORT CONFIGURATIONS"	1	FIBER GLASS + EPOXY	SEE THE CHART
ITEM	DESCRIPTION	DRAWING NO.	QTY	MATERIAL	COMPUTER CODE

**TECHNICAL REQUIREMENT**  
 1. MANUFACTURED IN CONFORMITY TO 《 ASME BOILER&PRESSURE VESSEL CODE 》 SECTION X: 《 FIBER REINFORCED PLASTIC PRESSURE VESSELS 》 -CLASS I VESSELS;  
 2. MAX OPERATING PRESSURE: 1000Psi ( 6.8947MPa ) , ALLOWABLE TEMPERATURE RANGE: 20°F(-7℃)~120°F(49℃), NOT APPLICABLE TO CORROSIVE LIQUID ;  
 3. LEAKAGE TEST: HYDRO TEST, TESTED AT 1.1 TIMES ITS OPERATING PRESSURE, I.E.: 1100Psi ( 7.5841MPa ) , SAMPLE RATE: 100% ;  
 NOTE: DIMENSIONS IN PARENTHESIS ARE REFERENCE ONLY.

SHELL Length Code	L Inch (mm)	P Standard Inch (mm)	S Span Inch (mm)	Shell Weight lb (kg)
-1	62.3 (1582)	47 (1194)	1@26.8 (680)	110 (50)
-1.5	82.3 (2090)	67 (1702)	1@42 (1067)	129.8 (59)
-2	102.3 (2598)	87 (2210)	1@56 (1422)	147.4 (67)
-3	142.3 (3614)	127 (3226)	1@80 (2032)	184.8 (84)
-4	182.3 (4630)	167 (4242)	2@64 (1626)	222.2 (101)
-4.5	202.3 (5138)	187 (4750)	2@71 (1803)	242 (110)
-5	222.3 (5646)	207 (5258)	2@78 (1981)	259.6 (118)
-6	262.3 (6662)	247 (6274)	2@92 (2337)	297 (135)
-7	302.3 (7678)	287 (7290)	2@106 (2692)	334.4 (152)
-7.5	322.3 (8186)	307 (7798)	2@114 (2896)	354.2 (161)
-8	342.3 (8694)	327 (8306)	2@120 (3048)	371.8 (169)

14	HEAD SEAL CHANGED;			2011/02/11
13	SHELL WEIGHT CHANGED;			2010/12/02
REVISION	DESCRIPTION	SIGNATURE	DATE	
REFERENTIAL PLASTIC SHRINKAGE (IF NECESSARY):		SIGNATURE		
		<b>WAVE CYBER (SHANGHAI) CO., LTD.</b>		
DESIGN	SCALE	MATERIAL	MODEL	WAVE-1000P-8
INSPECTION	1:6		DESCRIPTION	
APPROVAL	QUANTITY	SMOOTHNESS	1000P-8 MEMBRANE HOUSING	
THIS PRODUCT DRAWING CAN NOT BE COPIED AND/OR USED WITHOUT PRIOR WRITTEN APPROVAL OF WAVE CYBER.		PROJECTION	COMPUTER CODE	DRAWING NO. (23100-00)EC10-08-00
		DO NOT MEASURE THE DIMENSIONS.	UNIT: MM	VERSION NO. 14
				TOTAL PAGE: 1